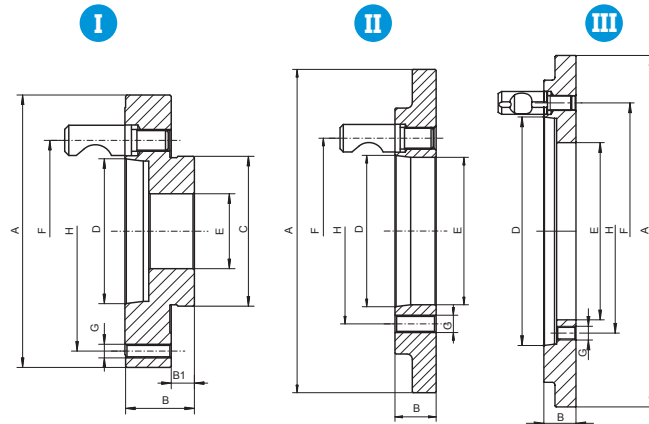
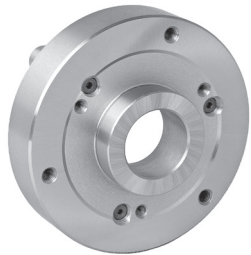


8245
DIN 55029

TARCZE ZABIERAKOWE OBROBIONE DO UCHWYTÓW Z REGULOWANYM OSADZENIEM
ПЕРЕХОДНЫЕ ФЛАНЦЫ ДЛЯ ПАТРОНОВ С ОКОНЧАТЕЛЬНОЙ РЕГУЛИРОВКОЙ



Nr produktu	W*	St. 1:4 Kon. 1:4	Z**	A	B	B1	C	D	E	F	G	H	kg
Код продукта													кг
358245800600	100	3	I	100,00	38,0	12	45	53,975	20,0	70,6	M8	83,0	1,5
358245801900	100	4	I	108,00	40,0	12	45	63,513	20,0	82,6	M8	83,0	1,8
358245810800	125	3	I	125,00	40,0	14	55	53,975	35,0	70,6	M8	108,0	2,7
358245820000	125	4	I	125,00	39,0	14	55	63,513	35,0	82,6	M8	108,0	2,6
358245822500	125	5	I	135,00	44,0	14	55	82,563	35,0	104,8	M8	108,0	3,1
358245830100	160	3	I	160,00	46,0	16	86	53,975	42,0	70,6	M10	140,0	4,9
358245840300	160	4	I	160,00	46,0	16	86	63,513	42,0	82,6	M10	140,0	4,5
358245850500	160	5	I	160,00	46,0	16	86	82,563	42,0	104,8	M10	140,0	4,5
358245851800	160	6	I	170,00	51,0	16	86	106,375	42,0	133,4	M10	140,0	5,9
358245860700	200	3	I	200,00	33,0	17	110	53,975	51,4	70,6	M10	176,0	4,7
358245870900	200	4	I	200,00	33,0	17	110	63,513	55,0	82,6	M10	176,0	4,7
358245880000	200	5	I	200,00	47,0	17	110	82,563	55,0	104,8	M10	176,0	7,2
358245890200	200	6	I	200,00	51,0	17	110	106,375	55,0	133,4	M10	176,0	8,0
358245894300	250	4	I	250,00	38,0	19	145	63,513	60,5	82,6	M12	224,0	8,6
358245900700	250	5	I	250,00	38,0	19	145	82,563	76,0	104,8	M12	224,0	8,0
358245910900	250	6	I	250,00	53,0	19	145	106,375	76,0	133,4	M12	224,0	12,9
358245920000	250	8	I	250,00	60,0	19	145	139,719	76,0	171,4	M12	224,0	14,7
358245930200	315	6	I	315,00	38,0	19	180	106,375	103,0	133,4	M16	286,0	12,9
358245940400	315	8	I	315,00	57,0	19	180	139,719	103,0	171,4	M16	286,0	21,7
358245950600	315	11	I	315,00	64,0	19	180	196,869	103,0	235,0	M16	286,0	24,0
358245963600	400	6	II	298,45	35,0	-	183	106,375	103,0	133,4	M16	171,4	11,7
358245971200	400	8	II	298,45	38,0	-	227	139,719	136,1	171,4	M16	171,4	11,9
358245981400	400	11	II	298,45	48,0	-	297	196,869	136,0	235,0	M16	171,4	17,5
358245993100	500	8	II	407,00	38,0	-	407	139,719	136,0	171,4	M20	235,0	33,5
358245994400	500	11	II	407,00	44,0	-	407	196,869	192,8	235,0	M20	235,0	35,3
358245995700	500	15	II	407,00	52,0	-	407	285,775	190,0	330,2	M20	235,0	37,8
358245997200	630	8	II	407,00	38,0	-	407	139,719	136,0	171,4	M20	330,2	33,5
358245998500	630	11	II	407,00	44,0	-	407	196,869	192,8	235,0	M20	330,2	35,3
358245999800	630	15	II	407,00	52,0	-	407	285,775	252,0	330,2	M20	330,2	32,8
358245982700	800	11	II	635,00	44,0	-	635	196,869	192,8	235	12xM24	368,3	78,2
358245983000	800	15	II	635,00	48,5	-	635	285,775	281,0	330,2	12xM24	368,3	76,0
358245984200	800	20	III	635,00	58,0	-	635	412,775	320,0	463,6	12xM24	368,3	80,7
358245986800	1000	15	II	635,00	48,5	-	635	285,775	281,0	330,2	12xM24	463,6	76,0
358245987000	1000	20	II	635,00	52,0	-	635	412,775	408,0	463,6	12xM24	463,6	53,8
358245988300	1250	15	II	720,00	52,0	-	720	285,775	281,0	330,2	12xM30	647,6	122,0
358245989600	1250	20	II	720,00	52,0	-	720	412,775	408,0	463,6	12xM24	647,6	101,0

*W - Średnica uchwyty • Диаметр патрона

**Z - Kształt zabieraka • Форма фланца

- 1
- 2
- 3
- 4
- 5
- 6
- 7