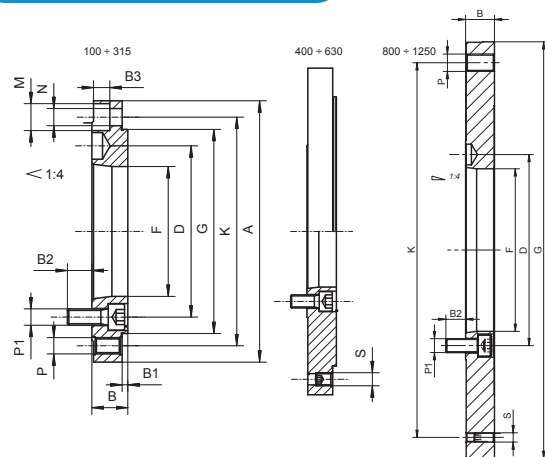


1  
2  
3  
4  
5  
6  
7

**TARCZE ZABIERAKOWE OBROBIONE**  
ПОЛНОСТЬЮ ПОДГОТОВЛЕННЫЕ  
ПЕРЕХОДНЫЕ ФЛАНЦЫ

8210-X  
DIN 55026

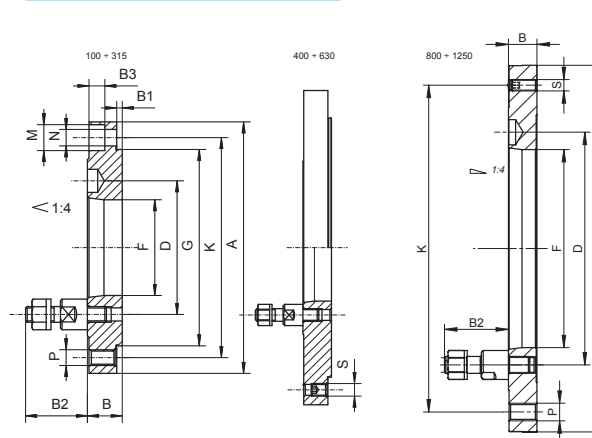


Nr produktu	W*	St. 1:4	A	B	B1	B2	B3	D	F	G	K	M	N	P	P1	S	kg
Код продукта	W*	Кон. 1:4								(h4)							кг
358210530600	100	3	100	22	2,5	14,0	-	70,6	51,4	70	83,0	-	-	3xM8	3xM10	-	0,8
358210540800	125	3	125	22	3,5	14,0	10	70,6	51,4	95	108,0	3x13,5	3x8,4	3xM8	3xM10	-	1,4
358210550000	125	4	125	22	3,5	13,0	-	82,6	60,9	95	108,0	-	-	3xM8	3xM10	-	1,3
358210560100	160	3	160	22	3,5	14,0	10	70,6	51,4	125	140,0	6x16,5	6x10,5	3xM10	3xM10	-	2,4
358210570300	160	4	160	22	3,5	15,0	10	82,6	60,9	125	140,0	6x16,5	6x10,5	3xM10	6xM10	-	2,2
358210580500	160	5	160	22	3,5	15,0	10	104,8	79,5	125	140,0	6x16,5	6x10,5	3xM10	6xM10	-	1,9
358210590700	160	6	160	22	3,5	19,5	-	133,4	103,0	125	140,0	-	-	3xM10	3xM12	-	1,6
358210640900	200	4	200	22	3,5	15,0	10	82,6	60,9	160	176,0	6x16,5	6x10,5	3xM10	6xM10	-	3,9
358210650000	200	5	200	22	3,5	15,0	10	104,8	79,5	160	176,0	6x16,5	6x10,5	3xM10	6xM10	-	3,6
358210660200	200	6	200	22	3,5	21,0	10	133,4	103,0	160	176,0	6x16,5	6x10,5	3xM10	6xM12	-	3,1
358210710400	250	5	250	28	4,5	12,0	12	104,8	79,5	200	224,0	6x19,0	6x13,0	3xM12	6xM10	-	7,7
358210720600	250	6	250	28	4,5	19,0	12	133,4	103,0	200	224,0	6x19,0	6x13,0	3xM12	6xM12	-	7,1
358210730800	250	8	250	28	4,5	24,0	12	171,4	138,1	200	224,0	6x19,0	6x13,0	3xM12	6xM16	-	5,9
358210770500	315	6	315	33	4,5	19,0	16	133,4	103,0	260	286,0	6x25,0	6x17,0	3xM16	6xM12	-	14,6
358210780700	315	8	315	33	4,5	22,0	16	171,4	136,1	260	286,0	6x25,0	6x17,0	3xM16	6xM16	-	13,2
358210791100	315	11	315	38	4,5	32,0	-	235,0	192,8	260	286,0	-	-	6xM16	6xM20	-	12,0
358210800300	400	6	400	36	4,5	21,0	16	133,4	103,0	330	362,0	6x25,0	6x17,0	6xM16	6xM12 3xM16	-	27,7
358210810500	400	8	400	36	4,5	20,0	16	171,4	136,1	330	362,0	6x25,0	6x17,0	6xM16	6xM16 3xM16	-	26,0
358210821000	400	11	400	36	4,5	30,0	17	235,0	192,8	330	362,0	6x25,0	6x17,0	6xM16	6xM20 3xM16	-	22,5
358210830900	500	8	500	36	4,5	20,0	16	171,4	136,1	420	458,0	6x25,0	6x17,0	6xM16	6xM16 3xM16	-	43,4
358210841300	500	11	500	36	4,5	30,0	16	235,0	192,8	420	458,0	6x25,0	6x17,0	6xM16	6xM20 3xM16	-	39,9
358210851500	500	15	500	36	4,5	32,0	16	330,2	281,4	420	458,0	6x25,0	6x17,0	6xM16	6xM24 3xM16	-	31,6
358210860400	630	8	630	42	6,0	22,0	19	171,4	136,1	545	586,0	6x25,0	6x17,0	6xM16	6xM16 3xM16	-	84,0
358210871900	630	11	630	42	6,0	24,0	19	235,0	192,8	545	586,0	6x25,0	6x17,0	6xM16	6xM20 3xM16	-	79,7
358210881000	630	15	630	42	6,0	36,0	19	330,2	281,4	545	586,0	6x25,0	6x17,0	6xM16	6xM24 3xM16	-	79,1
358210891200	800	11	-	45	-	30	-	235,0	192,8	450	368,3	-	-	12xM24	6xM20 3xM16	-	40,4
358210907300	800	15	-	40	-	36	-	330,2	281,4	380	330,2	-	-	11xM24	6xM24	-	13,7
358210903200	800	15	-	48	-	34	-	330,2	281,4	450	368,3	-	-	8xM24	8xM24 3xM24	-	31,3
358210911900	1000	15	-	45	-	35	-	330,2	281,4	520	463,6	-	-	6xM24	8xM24 3xM16	-	44,6

\*W - Średnica uchwyty • Диаметр патрона

**TARCZE ZABIERAKOWE OBROBIONE**  
ПОЛНОСТЬЮ ПОДГОТОВЛЕННЫЕ  
ПЕРЕХОДНЫЕ ФЛАНЦЫ

8230-X  
DIN 55027



Nr produktu	W*	St. 1:4	A	B	B1	B2	D	F	G	K	M	N	P	S	kg	
Код продукта	W*	Кон. 1:4							(h4)						кг	
358230011500	100	3	100	22	2,5	34	75,0	51,4	70	83,0	3x13,5	3x8,4	6xM8	-	0,9	
358230031900	125	3	125	22	3,5	34	75,0	51,4	95	108,0	3x13,5	3x8,4	6xM8	-	1,6	
358230041000	125	4	125	22	3,5	39	85,0	60,9	95	108,0	3x13,5	3x8,4	6xM8	-	1,4	
358230061400	160	3	160	22	3,5	34	70,6	51,4	125	140,0	6x16,5	6x10,5	6xM10	-	2,6	
358230071600	160	4	160	22	3,5	39	85,0	60,9	125	140,0	6x16,5	6x10,5	6xM10	-	2,5	
358230082000	160	5	160	22	3,5	43	104,8	79,5	125	140,0	6x16,5	6x10,5	6xM10	-	2,2	
358230083300	160	6	160	22	3,5	50	133,4	103,0	125	140,0	6x16,5	6x10,5	6xM10	-	1,9	
358230089000	200	3	200	22	3,5	34	70,6	51,4	160	176,0	6x16,5	6x10,5	6xM10	-	4,2	
358230091000	200	4	200	22	3,5	39	85,0	60,9	160	176,0	6x16,5	6x10,5	6xM10	-	4,1	
358230111600	200	5	200	22	3,5	43	104,8	79,5	160	176,0	6x16,5	6x10,5	6xM10	-	3,9	
358230121800	200	6	200	22	3,5	50	133,4	103,0	160	176,0	6x16,5	6x10,5	6xM10	-	3,6	
358230151300	250	5	250	28	4,5	43	104,8	79,5	200	224,0	6x19,0	6x13,0	6xM12	-	8,1	
358230161500	250	6	250	28	4,5	50	133,4	103,0	200	224,0	6x19,0	6x13,0	6xM12	-	7,6	
358230171700	250	8	250	28	4,5	60	171,4	136,1	200	224,0	6x19,0	6x13,0	6xM12	-	6,7	
358230201500	315	6	315	33	4,5	50	133,4	103,0	260	286,0	6x25,0	6x17,0	6xM16	-	15,1	
358230211700	315	8	315	33	4,5	60	171,4	136,1	260	286,0	6x25,0	6x17,0	6xM16	-	14,0	
358230221900	315	11	315	33	4,5	75	235,0	192,8	260	286,0	6x25,0	6x17,0	6xM16	-	12,2	
358230241200	400	6	400	36	4,5	50	133,4	103,0	330	362,0	6x25,0	6x17,0	6xM16 3xM16	-	28,2	
358230251400	400	8	400	36	4,5	60	171,4	136,1	330	362,0	6x25,0	6x17,0	6xM16 3xM16	-	26,9	
358230261600	400	11	400	36	4,5	75	235,0	192,8	330	362,0	6x25,0	6x17,0	6xM16 3xM16	-	24,7	
358230301600	500	8	500	36	4,5	60	171,4	136,1	420	458,0	6x25,0	6x17,0	6xM16 3xM16	-	44,3	
358230311800	500	11	500	36	4,5	75	235,0	192,8	420	458,0	6x25,0	6x17,0	6xM16 3xM16	-	42,1	
358230321000	500	15	500	36	4,5	90	330,2	281,4	420	458,0	6x25,0	6x17,0	6xM16 3xM16	-	35,7	
358230341300	630	8	630	42	6,0	60	171,4	136,1	545	586,0	6x25,0	6x17,0	6xM16 3xM16	-	84,8	
358230351500	630	11	630	42	6,0	75	235,0	192,8	545	586,0	6x25,0	6x17,0	6xM16 3xM16	-	81,9	
358230361700	630	15	630	42	6,0	90	330,2	281,4	545	586,0	6x25,0	6x17,0	6xM16 3xM16	-	74,0	
358230382300	800	11	-	45	-	75	235,0	192,8	450	368,3	-	-	12xM24	3xM16	-	43,0
358230384900	800	15	-	45	-	90	330,2	281,4	380	330,2	-	-	6xM24	3xM16	-	23,3
358230385100	800	15	-	45	-	90	330,2	281,4	450	368,3	-	-	6xM24	3xM16	-	32,3

\*W - Średnica uchwyty • Диаметр патрона